

How to use SoloSTAR®: Quick reference guide

- Always read the full instruction leaflet before you use SoloSTAR® for the first time.
- If you have any questions, ask your healthcare professional.

Sanofi SoloSTAR[®] pens

Before you start, check you have the right insulin



Lantus[®] SoloSTAR[®] a grey prefilled disposable pen containing Lantus[®] (insulin glargine). Long acting basal insulin.¹



Apidra[®] SoloSTAR[®] a blue prefilled disposable pen with a mealtime icon containing Apidra[®] (insulin glulisine). Rapid acting mealtime insulin.²

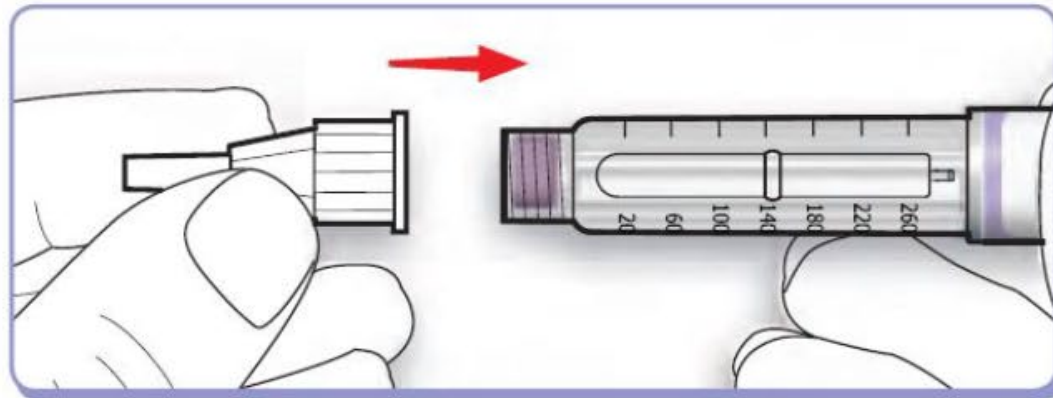
SANOFI 

1. Lantus Consumer Medicine Information, October 2017. 2. Apidra Consumer Medicine Information, November 2017.

Sanofi SoloSTAR[®] pens

Attach a new needle

Keep the needle straight as you attach it.

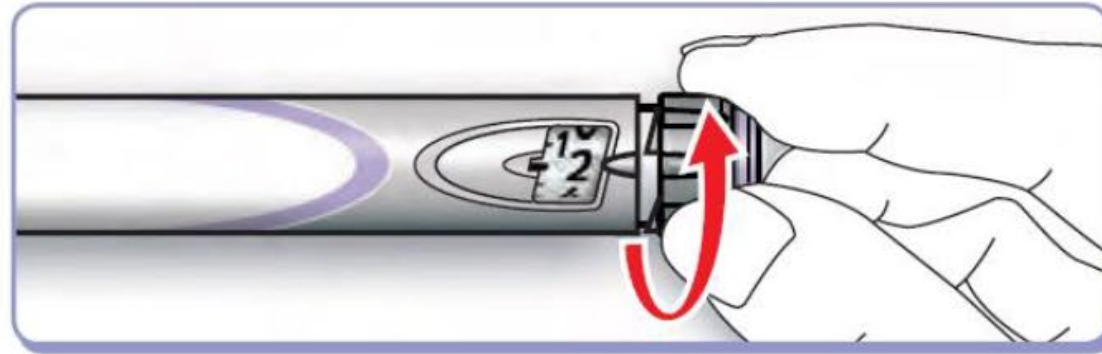


Sanofi SoloSTAR[®] pens

Step 2

Perform a safety test

This removes air bubbles and ensures that the pen and needle are working properly.
Select a dose of 2 units.



Step 2 continued next slide

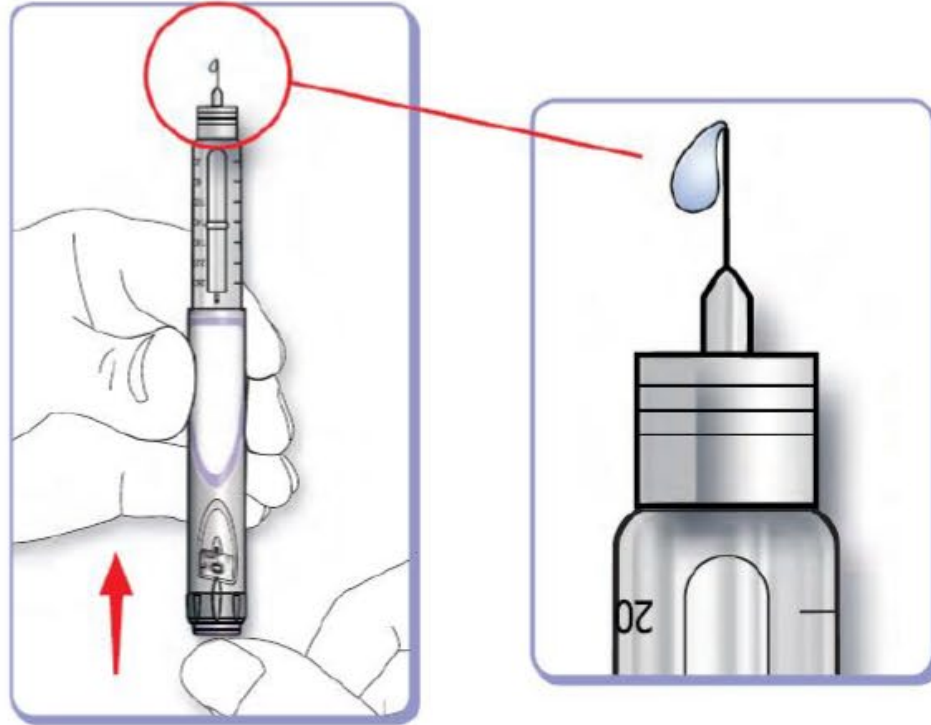
Step 2 continued

Sanofi SoloSTAR[®] pens

Remove the needle caps.
Set aside the outer cap for later.
Dispose of the inner cap safely.

Hold the pen with the
needle pointing upwards
and press the injection
button all the way in.

Check if insulin comes
out of the needle.



If insulin does not come out,
you must repeat the test until
it does.

If no insulin comes out after
doing the test 3 times,
replace the needle with a
new needle and try again.

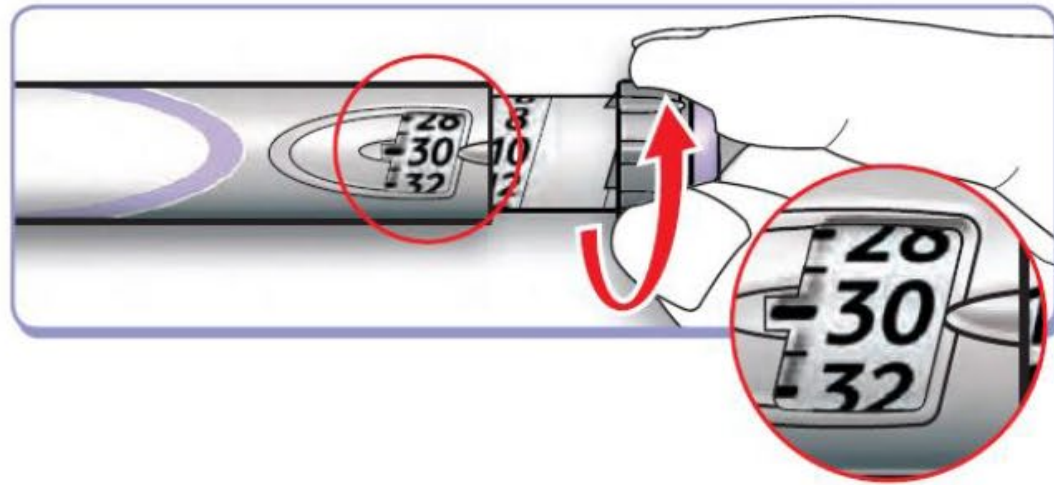
Step 3

Sanofi SoloSTAR[®] pens

Select the dose

Check the dose shows “0”.

Select your required dose.
(This example shows 30 units).



Step 4

Sanofi SoloSTAR[®] pens

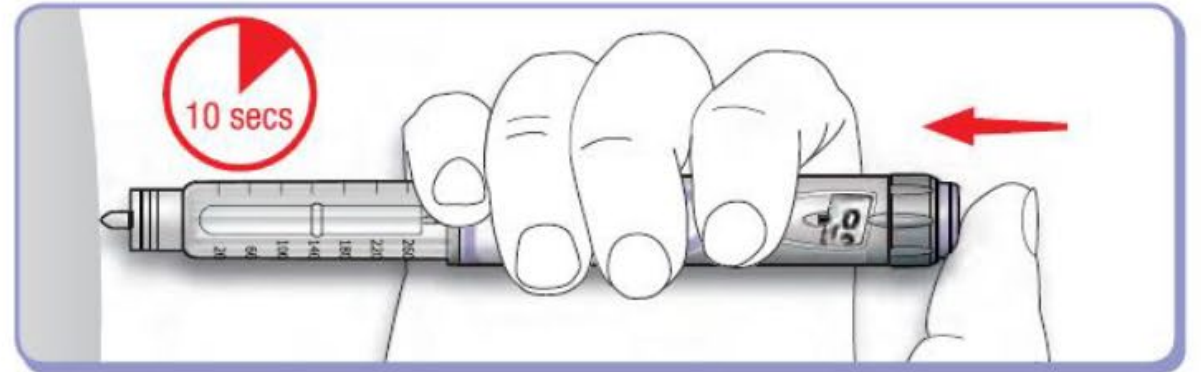
Inject the dose

Using the injection method instructed by your healthcare professional, insert the needle into the skin.

Press the injection button in all the way.

Keep the injection button pressed and slowly count to 10.

Then withdraw the needle.



Step 5

Sanofi SoloSTAR[®] pens

Remove the needle

Replace the outer needle cap and use it to unscrew the needle from the pen.

Dispose of the needle safely.

Put the SoloSTAR[®] pen cap on the pen.

Sanofi SoloSTAR[®] pens

IF YOU CAN'T dial to the dose you want, check if you have enough insulin in the reservoir.

IF YOU HAVE any other problems with the pen, first try replacing the needle and repeating the safety test.

EACH SoloSTAR[®] is for use by one person only.

Sanofi SoloSTAR[®] pens

Lantus[®] is a Prescription Medicine that is part of the daily treatment of Type 1 & Type 2 diabetes mellitus.

Do not use if allergic to insulin glargine or any of its ingredients.

Precautions: for subcutaneous (under the skin) injections only, do not mix or dilute. Close monitoring required during pregnancy, kidney or liver disease, intercurrent illness or stress. Tell your doctor if you are taking any other medicines, including those you can get from a pharmacy, supermarket or health food shop. Interactions with other medicine may increase or decrease blood glucose.

Side Effects: hyper or hypo glycaemia, injection site reactions, lipodystrophy (local disturbance of fat metabolism).

Contains insulin glargine 100u/mL. Use strictly as directed and if there is inadequate control or you have side effects see your doctor, diabetes nurse or educator. For further information please refer to the Lantus[®] Consumer Medicine Information on the Medsafe website (www.medsafe.govt.nz). Sanofi, Auckland, freephone 0800 283 684.

Lantus[®] is fully reimbursed when prescribed by a medical practitioner.

Pharmacy charges and doctors fees apply.

Sanofi SoloSTAR[®] pens

Apidra[®] is a Prescription Medicine that is part of the daily treatment of Type 1 & Type 2 diabetes mellitus. Do not use if allergic to insulin glulisine or any of its ingredients.

Precautions: for subcutaneous (under the skin) injections only, only mix Apidra[®] with (NPH) insulin if your doctor has instructed you to do so. Close monitoring required during pregnancy, kidney or liver disease, intercurrent illness or stress. Tell your doctor if you are taking any other medicines, including those you can get from a pharmacy, supermarket or health food shop. Interactions with other medicine may increase or decrease blood glucose.

Side Effects: hyper or hypo glycaemia, injection site reactions, lipodystrophy (local disturbance of fat metabolism). Contains insulin glulisine 100u/mL. Use strictly as directed and if there is inadequate control or you have side effects see your doctor, diabetes nurse or educator.

For further information please refer to the Apidra[®] Consumer Medicine Information on the Medsafe website (www.medsafe.govt.nz). Sanofi New Zealand, Auckland-Freephone 0800 283 684. Apidra[®] is fully reimbursed when prescribed by a medical practitioner. Pharmacy Charges and Doctors fees apply